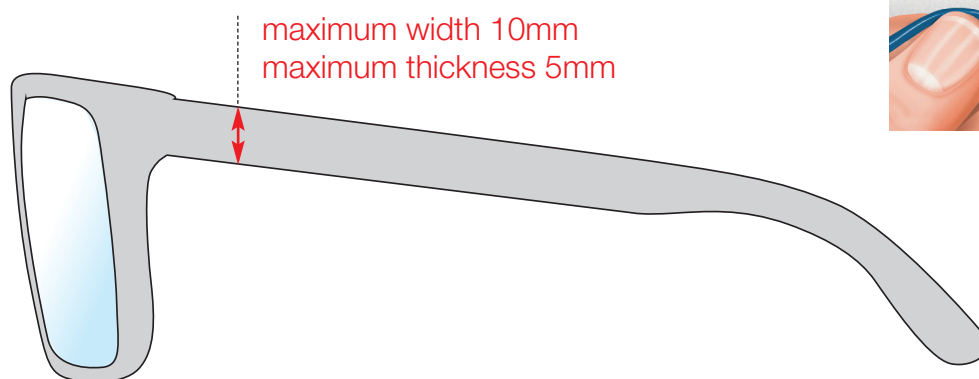
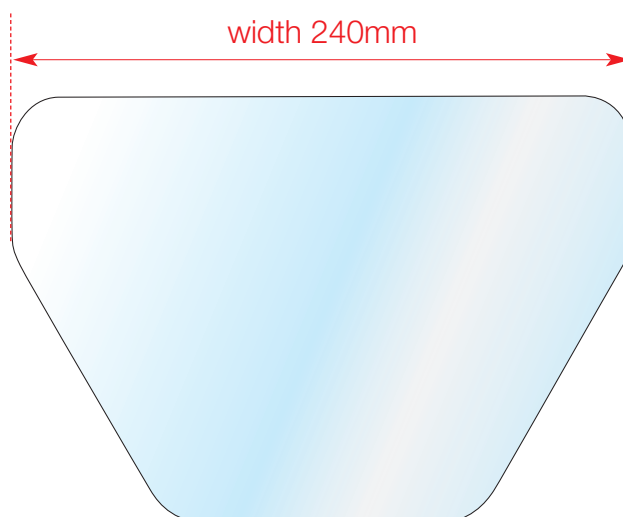


Do your glasses and loupes fit with Clipon?

Clipon – For glasses



L-Clipon – For loupes



Yes, I will order Clipon!

- Please send me Clipon for glasses (Item Nr. 5622)/Content: 2 Clipon + 5 faceshields
- Please sende me L-Clipon for loupes (Item Nr. 5630)/Content: 2 Clipon + 5 L-faceshields

Name: _____

Clinic / Office: _____

Address: _____

City: _____

Country: _____

Phone: _____

E-Mail: _____

My Dental Dealer is: _____

Send your order by fax to:

+41 91 946 32 03

or by e-mail to:

sales@polydentia.ch